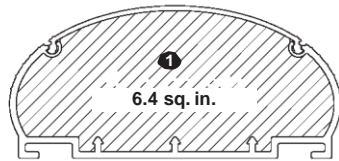


HellermannTyton

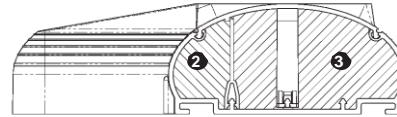
INSMCR



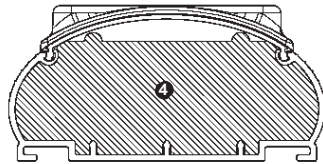
INSTALLATION INSTRUCTIONS FOR INFOSTREAM™ MULTI-CHANNEL RACEWAY SYSTEM



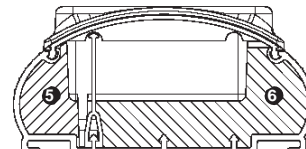
Base and Cover with No Devices



Offset Box with Data (OB)



Data Only using Raised Bracket (RDB)



Power and Data Inline using Raised Brackets (REB, RDB)

Wire Fill Chart

LOW VOLTAGE		Raceway Area of Raceway	Channel 1 6.40in ²	Channel 2 1.220in ²	Channel 3 4.260in ²	Channel 4 5.880in ²	Channel 5 0.800in ²	Channel 6 2.450in ²
Wire Type	Wire Size	OD of Wire	Spec Max	Spec Max	Spec Max	Spec Max	Spec Max	Spec Max
Twisted Pair 24 AWG Unshielded	2 Pr.	0.140	166 249	31 47	110 166	152 229	20 31	63 95
	3 Pr.	0.150	144 217	27 41	96 144	133 199	18 27	55 83
	4 Pr. Cat 5e	0.217	69 103	13 19	46 69	63 95	8 12	26 39
	4 Pr. Cat 6	0.240	56 84	10 16	37 56	51 77	7 10	21 32
	4 Pr. Cat 6a	0.354	26 39	4 7	17 25	23 35	3 4	9 14
25 Pr.	0.410	19 29	3 5	12 19	17 26	2 3	7 11	
Coax	RG58/U	0.193	87 131	16 25	58 87	80 120	10 16	33 50
	RG59/U or RG62/U	0.242	55 83	10 15	37 55	51 76	6 10	21 31
	RG6/U	0.270	44 67	8 12	29 44	41 61	5 8	17 25
Fiber Optic FA Jacket OFNP	2 Strand	0.175	106 159	20 30	70 106	97 146	13 19	40 61
	4 Strand	0.185	95 142	18 27	63 95	87 131	11 17	36 54
	6 Strand	0.210	73 110	14 21	49 73	67 101	9 13	28 42
Fiber Optic 62.5/125/900 PVC Jacket OFNR	2 Strand	0.175	106 159	20 30	70 106	97 146	13 19	40 61
	4 Strand	0.185	95 142	18 27	63 95	87 131	11 17	36 54
	6 Strand	0.210	73 110	14 21	49 73	67 101	9 13	28 42
	8 Strand	0.230	61 92	11 17	41 61	56 84	7 11	23 35
	10 Strand	0.250	52 78	9 14	34 52	47 71	6 9	19 29
Electrical Wire	14 AWG THHN	0.105	17	10	-	-	9	-
	12 AWG THHN	0.122	14	7	-	-	7	-
	10 AWG THHN	0.153	10	5	-	-	5	-

Formula used to calculate communications wire fill capacity - Numbers of wires = duct / {1/4 x 3.14 x (wire o.d.)²} x 0.4 or 0.6. Per ANSI/TIA/EIA-569-A-:

SPEC = 40% fill which is recommended for planning perimeter pathways

MAX (for data) = 60% fill which is allowed to accommodate unplanned additions after initial installation

MAX (for power) = Maximum number determined by UL temperature testing

Note: It is recommended to bundle electrical cables in raceway

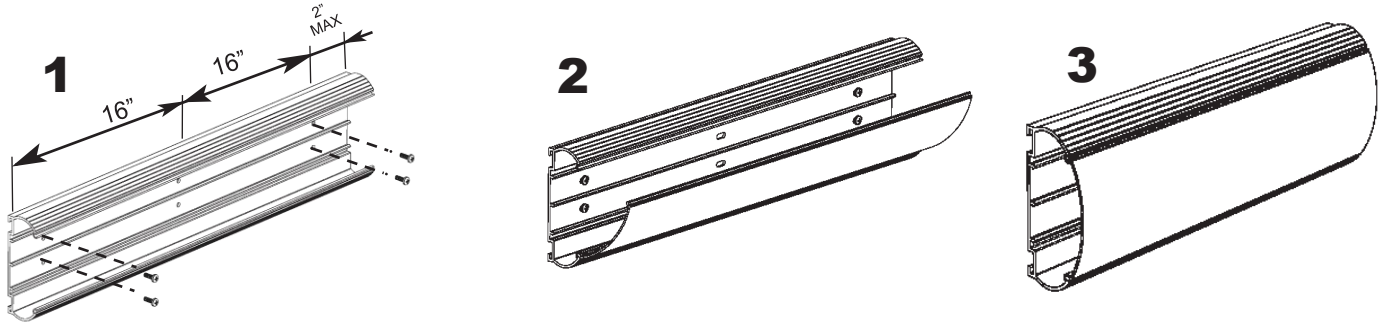
The adhesive strip may serve only as a positioning aid during installation. The raceway shall be secured by mechanical fastening.

BASE AND COVER

Part Numbers: MCR_-B8, MCR_-B10, MCR_-C8, MCR_-C10

Recommend raceway mounted every 16" - 24"

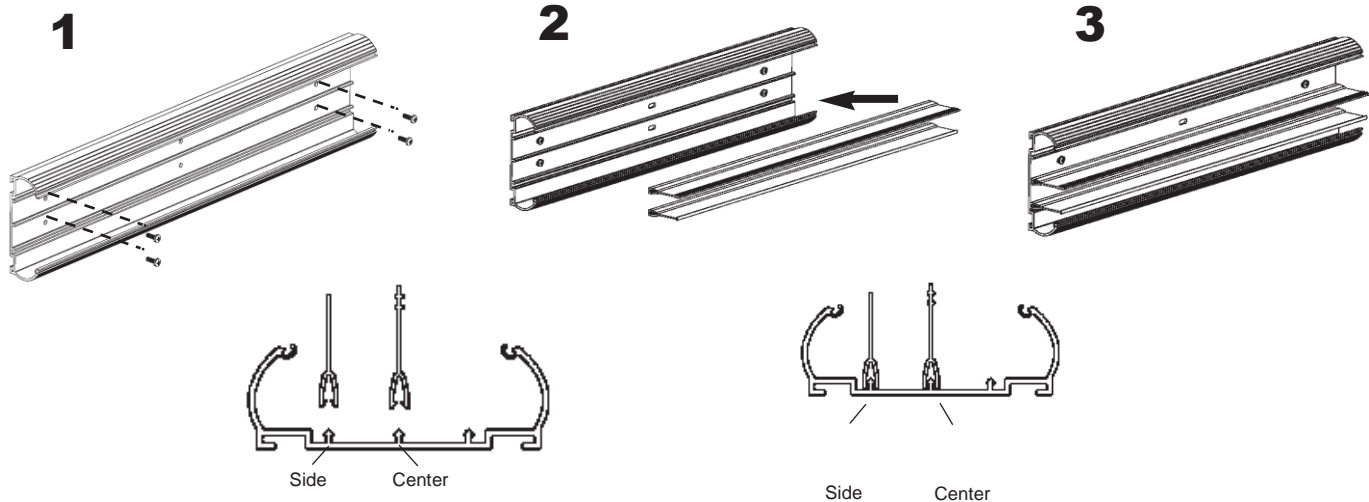
Appropriate mounting hardware should be used to secure the raceway to the mounting surface. Recommend use of #8 round or pan-head screws.



DIVIDERS

Part Number for Side Divider: MCRW-SD8, MCRW-SD10

Dividers are snapped into the base on the center or side position to separate the power wires and communication wires. **The center or side divider is included with the base.** The center divider is taller and has ribs near the top. The side divider is white in color.



HellermannTyton

7930 N. Faulkner Rd. Milwaukee, WI 53224

Phone: (800) 537-1512, (414) 355-1130 • Fax: (800) 848-9866, (414) 355-7341

www.hellermann.tyton.com • email: corp@htamericas.com